



PROTECT

combined with active carbon



715719

FH711



CA

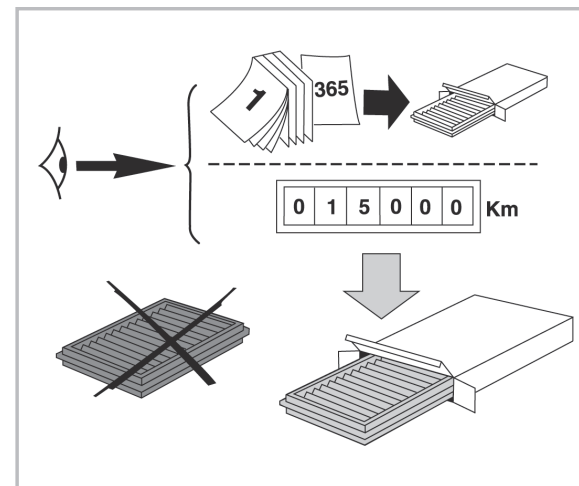
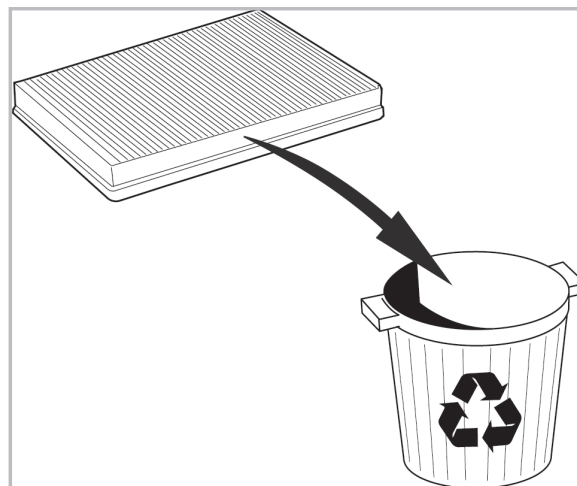
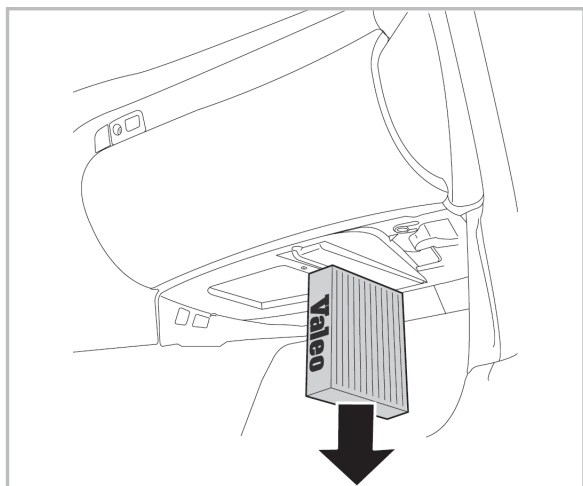
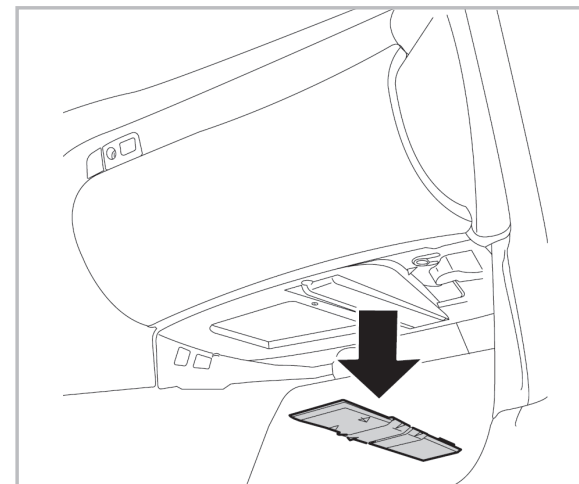
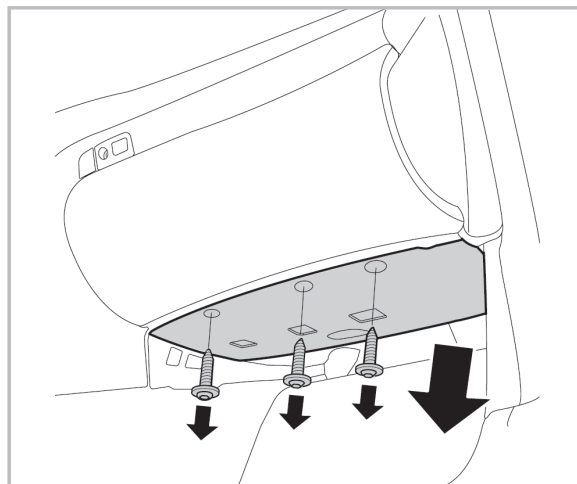
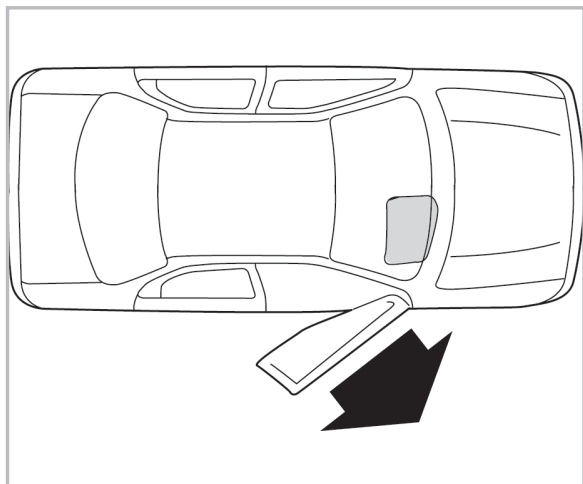
WANT TO KNOW MORE?



www.valeo-techassist.com

FOR
BMW

SERIES 1 A+ (04/12 >) / SERIES 3 A+ (04/12 >)



Valeo Service - Société par Actions simplifiée - Capital de 12 900 000€ - 70, rue Playel, 93285 Saint-Denis Cedex - France - B 306 486 408 RCS Bobigny